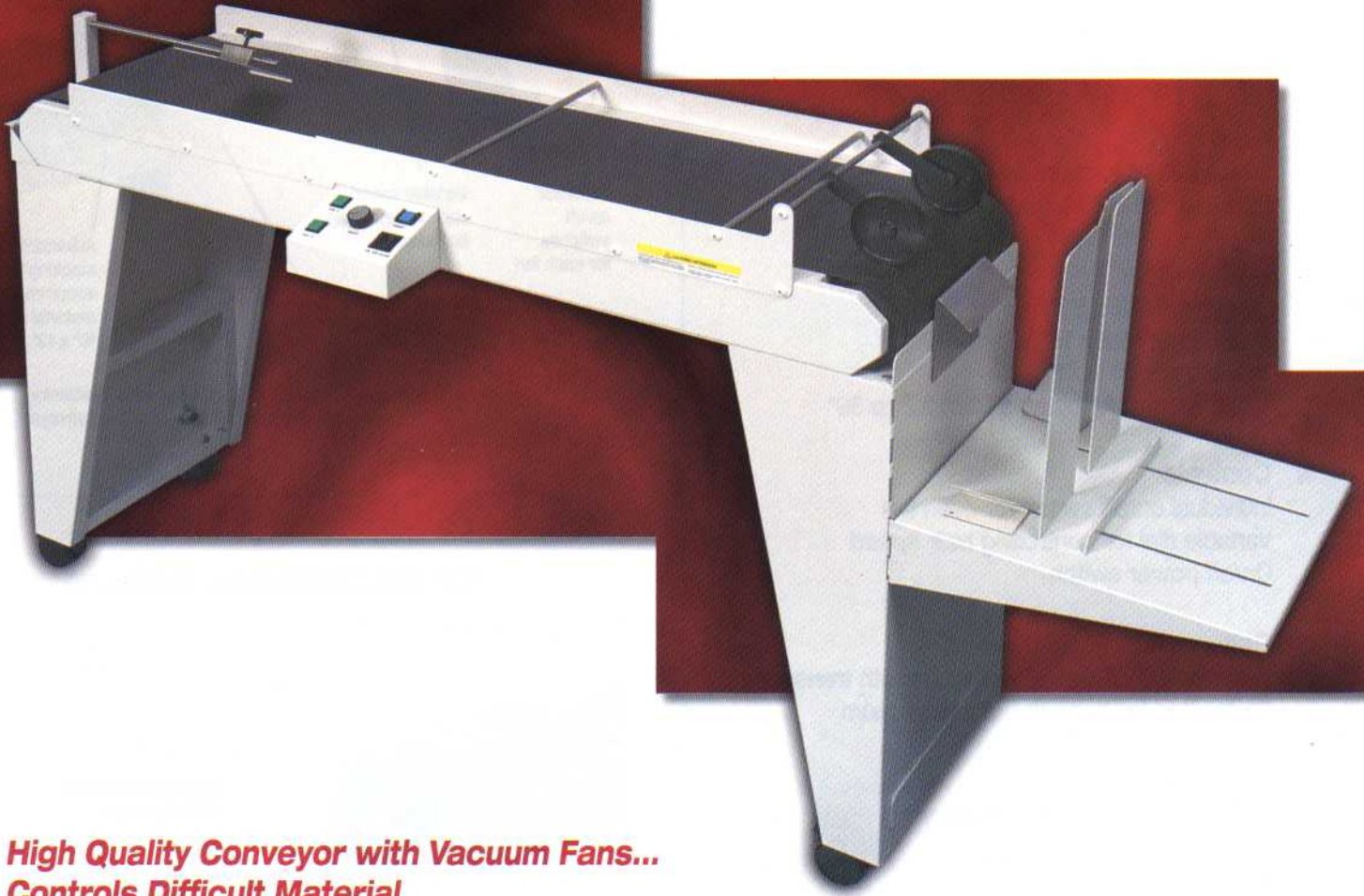


# SECAP USA

## TC 48 Vacuum Assist Conveyor with Stand



### **High Quality Conveyor with Vacuum Fans... Controls Difficult Material**

The Secap TC 48 conveyor features two, high capacity vacuum fans that stabilize material on the conveyor. This helps control the registration and transport of difficult media. In addition, the unique design and flexible features provide:

- Adjustable drop stacking tray for convenient and hands free stacking
- Variable speed control for handling different types of media
- Wide, perforated belt for the smooth transport of material
- Built-in interface for optional dryer

**SECAP**  
USA, inc.

Innovative mailing technologies...

# Technical Specifications

## Model TC 48 Conveyor and Stand

- **Speed**  
Adjustable 16 to 350 feet per minute
- **Media Size**  
Maximum: 10" x 13"  
Minimum: 3" x 5"
- **Fans**  
2 high output vacuum fans  
Rated at 170 C.F.M. (Each fan)
- **Dimensions**  
Chassis: 14"W x 52"L  
Drop Tray: 16"L x 14"W  
Tray depth: 5" to 11"  
Table height: Adjustable from 32" to 39"
- **Controls**  
Individual on/off switch for each fan  
Variable dial for controlling belt speed  
On/off power switch
- **Belt**  
Wide format design providing smooth transport  
Perforated for through the belt vacuum
- **Interface**  
Built in interface for optional dryer
- **Weight**  
130 lbs. (with stand)
- **Power**  
120V.A.C., 50/60 Hz.

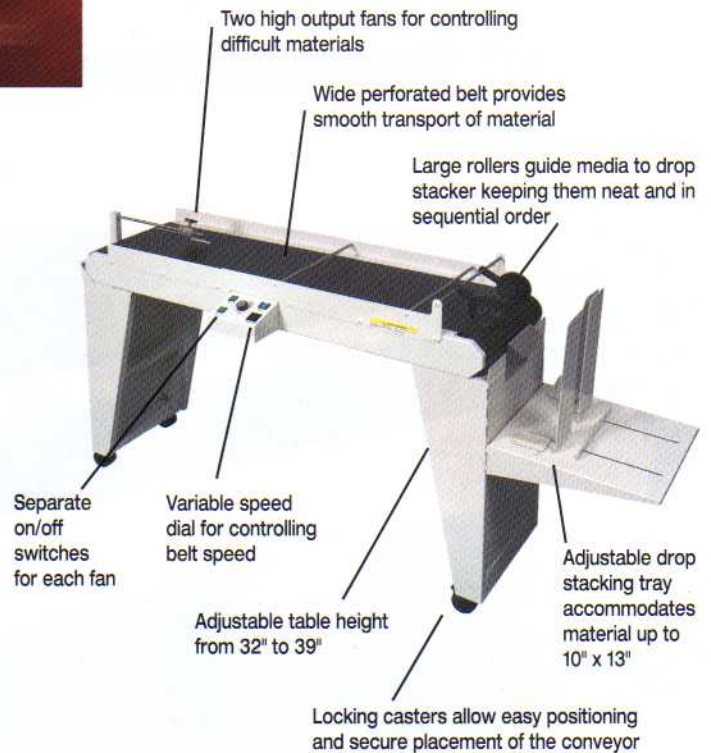
Specifications subject to change without notice



Innovative mailing technologies...

10 Clipper Road  
W. Conshohocken, PA 19428-2721  
1.800.523.0320 • 610.825.6205 • 610.825.1397 (fax)  
www.secapusa.com

Reorder #40415 2/02

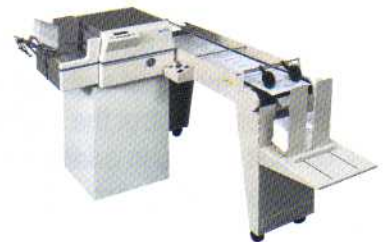


### TC 48 Additional Options



Optional TD 36 Dryer.  
Dryer easily mounts over conveyor

TC 48 Conveyor shown with the 30K Ink Jet Address and Envelope Imager.



Available from:

Contact the dealer above or call 1-800-532-0320 for a Secap dealer near you.